

TASKMASTER® 8500

Voracious Twin Shaft Grinder

The TASKMASTER TM8500 series provides powerful size reduction capabilities, easy maintenance and exceptional durability. The TASKMASTER reduces wood, rags, paper, sewage, sludge, tampons, cardboard, plastic, fabrics, and waste items into fine particles facilitating further processing or disposal. The Taskmaster TM8500, with its powerful capabilities and cutter cartridge technology, provides a significant improvement over competing units.

Finely Ground Output

Prevents Ragging and Plugging

Cutter Cartridge Technology

Fewer Moving Parts

Rugged Construction

No Stack Re-tightening

Protects and Enhances Plant Processes

The TASKMASTER protects downstream process equipment and keeps systems running smoothly. These versatile units are used for sewage treatment, sludge, pumping stations, sanitary or disposal facilities, institutional waste, and bulk solids reduction applications. The TASKMASTER, installed in-line, significantly reduces pump downtime, ragging and premature filter press media failure.



Monolithic Cutter Cartridges

The TM8500 employs two counter-rotating cutter stacks that intermesh at close clearance to intensively shear and shred solids into fine bits. TASKMASTER employs unique cutter cartridges that combine six thin cutter and spacer disks of old designs into rugged one piece multi-tooth elements. The

benefits are: increased unit and cutter strength, resistance to cracking and the complete elimination of stack loosening and subsequent re-tightening requirements.



TASKMASTER 8500 - GRINDER

(973) 535-9200 • Fax (973) 535-6269

Franklin
MILCH
THE SIZE
REDUCTION
SPECIALISTS

Construction:

The TASKMASTER TM8500 is heavily constructed for long life, durability and smooth operation. The housings are provided standard in ductile iron. Stainless Steel construction is also available as an option. Cutters and shafting are constructed of hardened 4140 steel. Highly reliable, severe duty mechanical seals, housed in convenient cartridges, protect the bearings and contain fluids within the unit.

Options

- Submersible Motors
- Hydraulic Drives
- Shaft Extensions
- Wet Well Frames
- Guide Rails
- Stainless Construction
- Special Cutter Designs
- Full Systems

S260 Control System

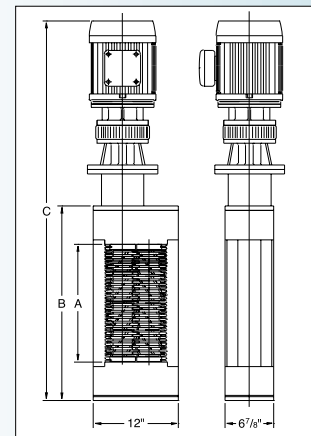
An S260 Control System monitors unit operation and automatically cycles the grinder in case of an overload condition. This U.L. listed industrial control panel is supplied complete with circuit breaker, a NEMA 4X FRP enclosure, self-test function, and 100,000 hour life LED indicators.



TM8512 with optional stainless steel construction.

Configurations:

The TM8500 can be configured for gravity feed, open channel, or for pipeline applications. Motor driven units are



supplied with a heavy duty, direct coupled, gear drive. Optional configurations include shaft extensions, hydraulic drives or submersible explosion proof motors. The TASKMASTER can be provided with guide frames for mounting to channels or wet wells, or alternatively with hoppers and stands for gravity fed

applications. The Taskmaster is supplied standard with an S260 Automatic Reversing Controller.



TM8532 in municipal wastewater channel.



TASKMASTER system wet grinding with discharge auger conveyor.

TM8524-12 for inline service with 12" flanges.

All Stainless Steel TM8512 recycling system with centrifugal sifter.



MODEL NO.	A	B	C	HP	WEIGHT	GPM/LS
TM8512	12.9 (328mm)	21.7 (552mm)	50.3 (1278mm)	3	463 (210kg)	550 (35ls)
TM8516	16.6 (422mm)	25.4 (646mm)	54.0 (1372mm)	3	495 (225kg)	775 (49ls)
TM8524	24.1 (612mm)	32.9 (837mm)	61.5 (1562mm)	3	560 (255kg)	1200 (76ls)
TM8532	31.6 (803mm)	40.4 (1027mm)	69.0 (1753mm)	3	625 (284kg)	1650 (104ls)
TM8540	39.1 (993mm)	47.9 (1218mm)	76.5 (1943mm)	3	690 (314kg)	2100 (132ls)
TM8552	50.3 (1278mm)	59.1 (1502mm)	90.9 (2308mm)	5	870 (395kg)	2750 (173ls)
TM8560	57.8 (1468mm)	66.6 (1693mm)	98.4 (2499mm)	5	935 (425kg)	3200 (202ls)

For inline dimensions please contact factory.

Call one of our customer service representatives to discuss your particular application.