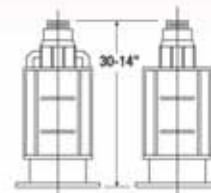
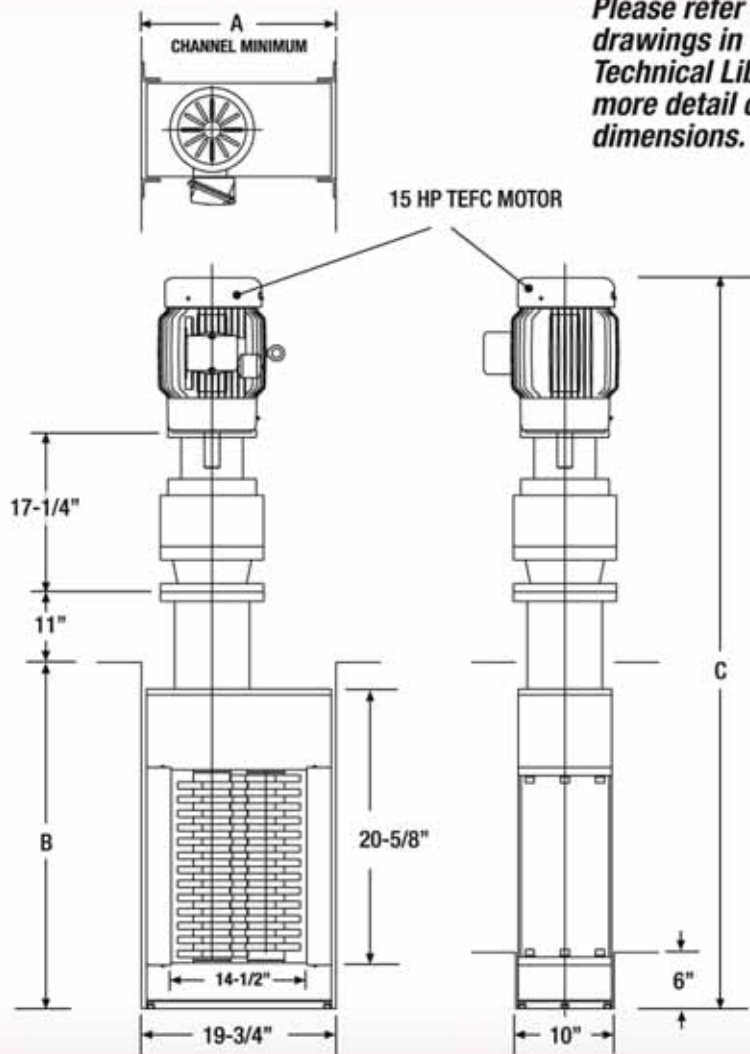
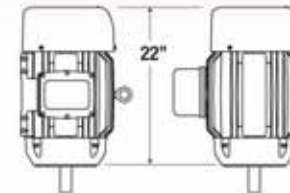


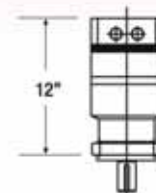
Please refer to drawings in the Technical Library for more detail on motor dimensions.



5 & 10 HP Submersible
Explosion-Proof Motor



15 HP Explosion-Proof Motor



Hydraulic Motor

(INCHES)

MODEL	HP	A	B	C	CAPACITY GPM
TM1620A	10	20.5	33.75	78.25	900
TM1620A	15	20.5	33.75	78.25	900
TM1630A	10	20.5	43.75	88.25	1900
TM1630A	15	20.5	43.75	88.25	1900
TM1640A	10	20.5	53.75	98.25	2900
TM1640A	15	20.5	53.75	98.25	2900
TM1650A	10	20.5	63.75	108.25	3900
TM1650A	15	20.5	63.75	108.25	3900

(MILLIMETERS)

MODEL	KW	A	B	C	CAPACITY L/S
TM1620A	10	520	857	1988	57
TM1620A	15	520	857	1988	57
TM1630A	10	520	1111	2242	120
TM1630A	15	520	1111	2242	120
TM1640A	10	520	1365	2496	185
TM1640A	15	520	1365	2496	185
TM1650A	10	520	1619	2750	250
TM1650A	15	520	1619	2750	250